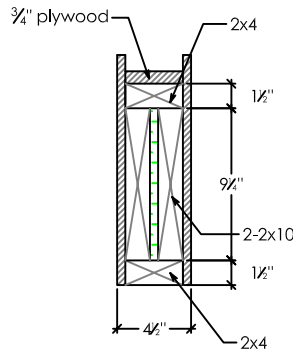
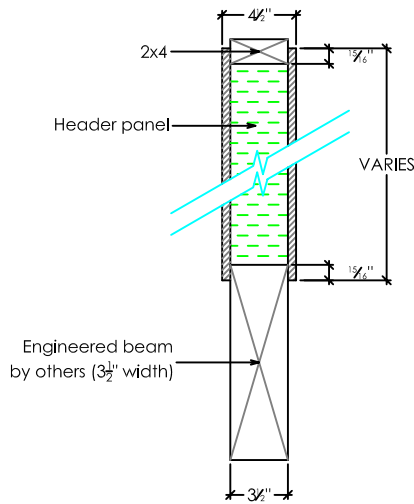



Header Panel A (HA)  
Maximum span 8 ft.



Header Panel B (HB)  
Maximum span 10 ft.



Header Panel C (HC)

Seal	Revisions				Project	Project No.		
	No.	Sig.	Date	Description	<b>Typical Section</b>			
				Scale _____ Drawn <u>J. Tilbury</u>				
Notes	 <p>104 Commercial Court Calgary, AB, Canada T3Z 2A5 Telephone (403) 531-4346 Fax (403) 531-4372</p>				Date <u>May 2004</u>	Checked _____		
					Sheet Title		<b>Header Options</b>	
					Sheet Number		EBS-103A	

Notes  
This is a copyright drawing and shall not be reproduced or revised without written permission and must be returned at completion of work or upon request.  
The contractor shall check and verify all dimensions and report all errors and omissions to Emercor. Drawings should not be scaled.  
This drawing shall not be used for construction purposes until so approved.