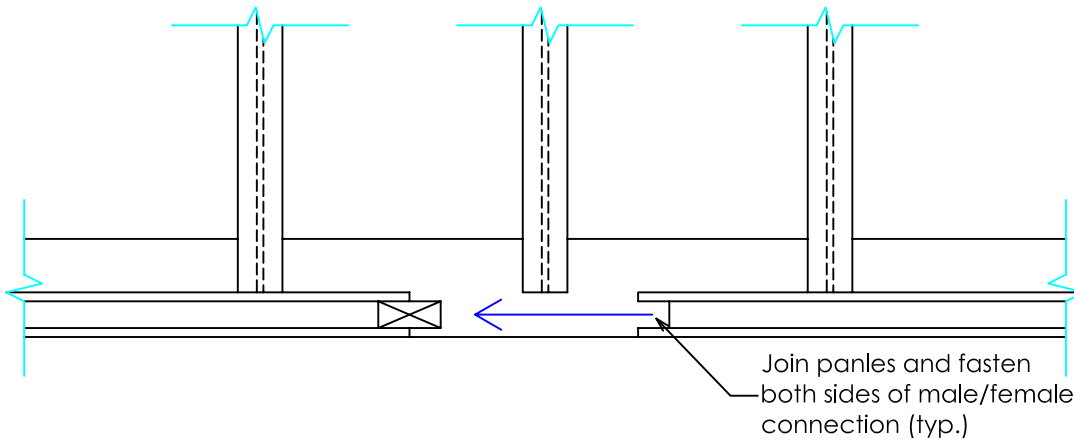


Isometric View



Top View

Seal	Revisions				Project	Project No.
	No.	Slg.	Date	Description	Typical Rim Board Connection Detail Scale _____ Drawn <u>J. Tilbury</u> Date <u>June 2004</u> Checked _____	
Notes	104 Commercial Court Calgary, AB, Canada T3Z 2A5 Telephone (403) 531-4346 Fax (403) 531-4372				Sheet Title	
					Rim Board Installation	
<small>This is a copyright drawing and shall not be reproduced or revised without written permission and must be returned at completion of work or upon request. The contractor shall check and verify all dimensions and report all errors and omissions to Emercor. Drawings should not be scaled. This drawing shall not be used for construction purposes until so approved.</small>					Sheet Number	
					EBS-RB3	